



FEC HELIPORTS & HELIPORT EQUIPMENT

Designed, Manufactured and Installed...we do it all.

120v to 277v NVG Compatible Pole Mounted Perimeter Light

This newly redesigned Pole perimeter light is the latest addition to the FEC Heliports line of high quality LED lights. Perimeter and Obstruction lights are one of the most important safety features on your heliport. They are used to mark and illuminate the FATO, TLOF, and Obstructions as well as to help the pilot locate the pad and safely land during night operations and inclement weather conditions.

Technical Details

Operating voltage: 120V to 277V, 50/60Hz

Maximum Power Consumption: 6 watts, .2 amps @ 120V
6 watts, .1 amps @ 277V
350mA constant current supply

Operating temperature: - 13F to 122F
- 25C to +50C

Operating LED Lifespan: Rated at 50,000+ hours

Light Source: Omni-directional LED Lamp
1x Osram OSOLON SSL 150 LED w/ Custom Optic
3 IR LEDs (IR LEDs 850nm)
2"(50mm) diameter aluminum circuit
RoHS and 94VO compliant

Standard Part Numbers:
HP1790P True Green (528nm)
HP1705P Blue (470nm)
HP1704P White 6000K
HP1707P Yellow/Amber (590nm)
HP1782P Red

Key Features:

- Mil-spec anodized cast aluminum body suitable for the harshest environments
- Pre-wired for quick and easy installations
- Standard color in Anodized Grey
- Blue, Red, and Gold are special order





FEC HELIPOINTS & HELIPOINT EQUIPMENT

Designed, Manufactured and Installed...we do it all.

Physical Characteristics

Light Fixture:

Dimensions:

Height 5 inches(127mm)
Lid Diameter 6-1/2 inches(165.1mm)

Materials:

Lens Tempered Glass
Casting 356 T6 Aluminum Alloy

Notes: All machining on the Aluminum casting is done in house by FEC Heliports

Mounting:

1"(25.4mm) NPT located on the bottom of each pole light

Materials:

Casting 356 T6 Aluminum Alloy

Notes: All machining on the Aluminum casting is done in house by FEC Heliports

Light: 6lbs.

Standards & Certification:

INTERTEK:

- Test Verification of Conformity U.S. Department of Transportation, Federal Aviation Administration, Memorandum, Helipoint Perimeter Light for Visual Meteorological Conditions. Engineering Brief No. 87.

- International Civil Aviation Organization (ICAO), Aerodromes, Annex 14, Volume 2, Fourth Edition, dated July 2013

- International Civil Aviation Organization (ICAO), Aerodromes, Annex 14, Volume 1, Seventh Edition, dated July 2016

CAP 437 design criteria



Photometric:

Standards

U.S. Department of Transportation, Federal Aviation Administration, Memorandum, Helipoint Perimeter Light for Visual Meteorological Conditions. Engineering Brief No. 87

Parameter	Requirement	Measured	Result
Min. Peak Intensity	5 cd from 16° - 90°	12.6 cd	Pass
Min. Peak Intensity	10 cd from 0° - 15°	23.3 cd	Pass
Min. Avg Intensity	15 cd from 0° - 15°	46.7 cd	Pass

cd = Candela

Standards

Internal Civil Aviation Organization (ICAO):
Aerodromes, Annex 14, Volume 2, Fourth Edition, dated July 2013
Aerodromes, Annex 14, Volume 1, Seventh Edition, dated July 2016

Parameter	Requirement	Measured	Result
Min. Peak Intensity	3 cd from 21° - 90°	12.6 cd	Pass
Min. Peak Intensity	8 cd from 13° - 20°	36.1 cd	Pass
Min. Peak Intensity	15 cd from 11° - 13°	51.5 cd	Pass
Min. Peak Intensity	30 cd from 6° - 10°	41.7 cd	Pass
Min. Peak Intensity	15 cd from 2° - 5°	30.9 cd	Pass

Test Purpose - Performance Testing (Photometry and Chromaticity)

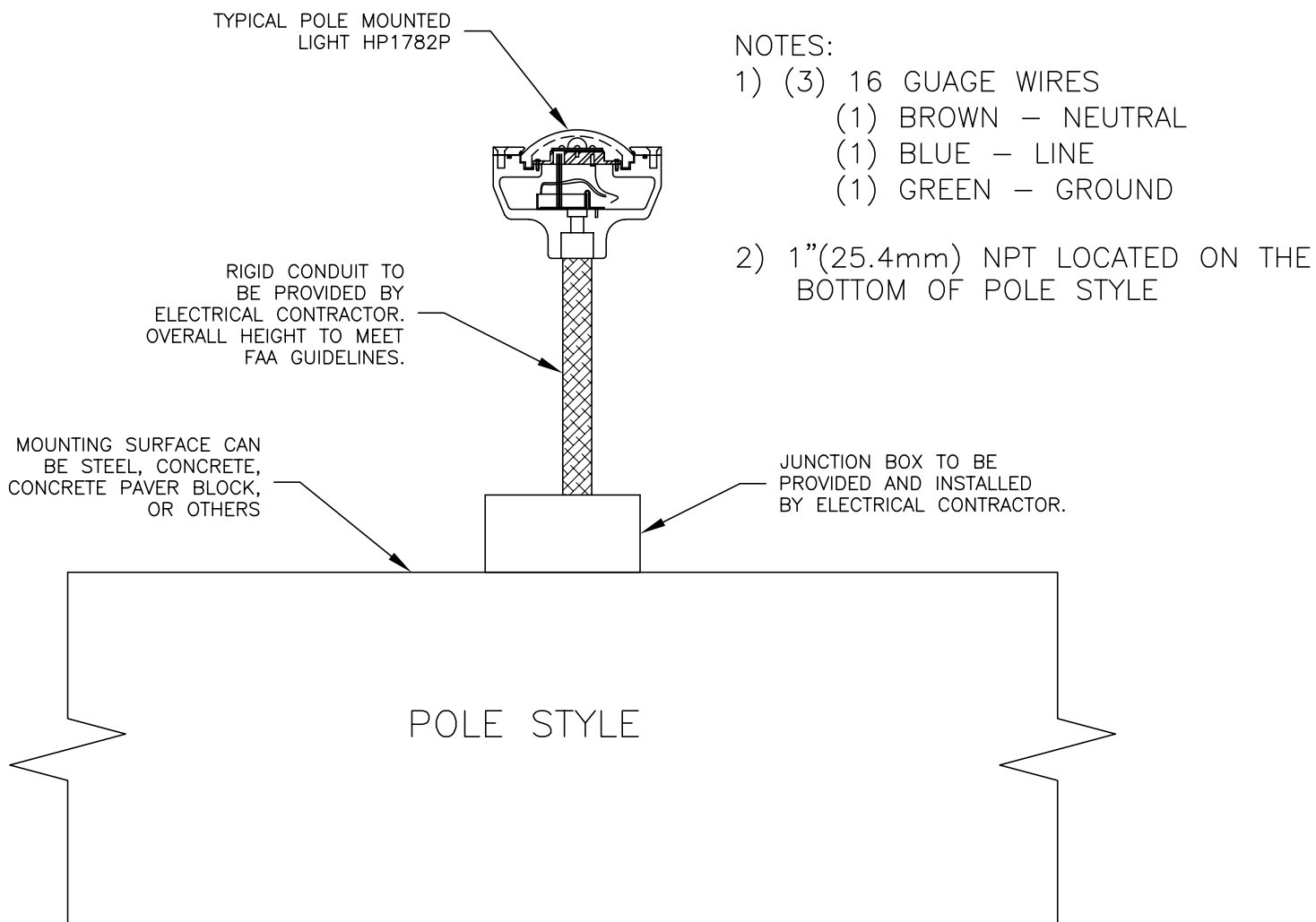
Test Dates - December 11, 2018



FEC HELIPORTS & HELIPORT EQUIPMENT

Designed, Manufactured and Installed...we do it all.

General Mounting Detail





FEC HELIPOINTS & HELIPOINT EQUIPMENT

Designed, Manufactured and Installed...we do it all.

Pole Mount LED Replacement Kit

This replacement kit consists of the LED light board mounted on a heat sink and prewired to the LED driver.

- HP1760P replaces HP1790P (Green)
- HP1761P replaces HP1704P (White)
- HP1762P replaces HP1782P (Red)
- HP1763P replaces HP1705P (Blue)
- HP1764P replaces HP1707P (Amber)

Heat Sink Dimensions:

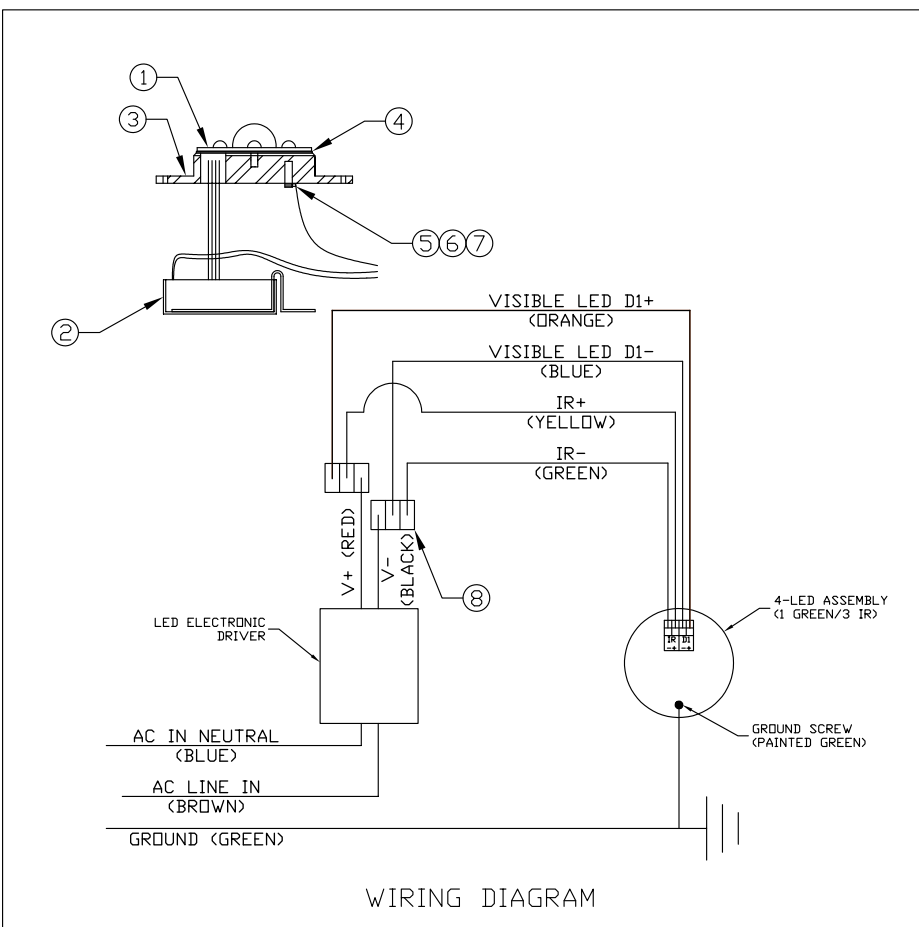
Height .519" [13.18mm]
O.D. 3.375" [85.73mm]

Materials:

LED Board
Alum. Heat Sink
LED Driver

Part #

HP0961, HP0962, HP0963, HP0964, HP0965
HP0940
HP0694



THIS DOCUMENT IS THE PROPERTY OF FEC HELIPOINTS, A DIVISION OF FEDERAL EQUIPMENT COMPANY, CINCINNATI OHIO. INFORMATION CONTAINED ON THIS DOCUMENT SHALL NOT BE DISCLOSED TO OTHERS, USED FOR MANUFACTURING, OR REPRODUCED FOR ANY REASON WITHOUT THE EXPRESSED WRITTEN PERMISSION OF FEC HELIPOINTS, A DIVISION OF FEDERAL EQUIPMENT COMPANY.

REVISION BLOCKS

REVISION	DATE	DESCRIPTION OF REVISIONS & ADDITIONAL NOTES	REVISED BY
—	04/24/18		***

NOTES:
1) TEST UNIT AFTER ASSEMBLY PRIOR TO SHIPPING.

2)

ITEM	QTY.	DESCRIPTION	PART NO.
8	2	LEVERNUT	221-413
7	1	GROUND SCREW TERMINAL	HP0507F-8
6	1	SCREW, GROUNDING	HP0508-7
5	1	WIRE, GROUND, GREEN (24" LG)	HP0247
4	1	THERMAL CONDUCTIVE TAPE	HP0463
3	1	ALUMINUM HEAT SINK	HP0940
2	1	LED ELECTRONIC DRIVER	HP0694
1	1	4-LED ASSEMBLY (1 GREEN/3 IR)	HP0961

PARTS LIST



A Division of
Federal Equipment Company,
5298 River Rd.
Cincinnati, Ohio 45233
(513) 621-5260
(513) 621-0524 Fax
www.FECHeliports.com

PAD-STAR REPLACEMENT KIT FOR POLE MOUNT (GREEN/IR LED)

DRAWN BY: TWS	CHECKED BY: JUS	APPROVED BY: TS
DATE: 11/21/18	DWG. SIZE: A	REV LTR: —
SCALE: N/A	HP1760P	

Diagram above is an example of the HP1760P Replacement Kit