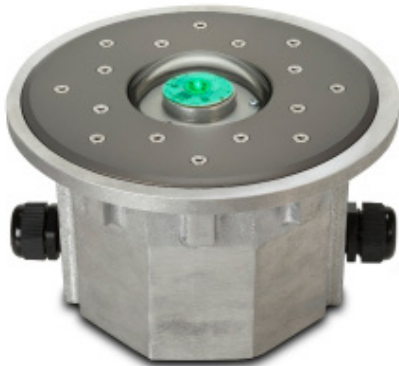


PAD-STAR® AC INSET SEMI-FLUSH - 2ND GENERATION

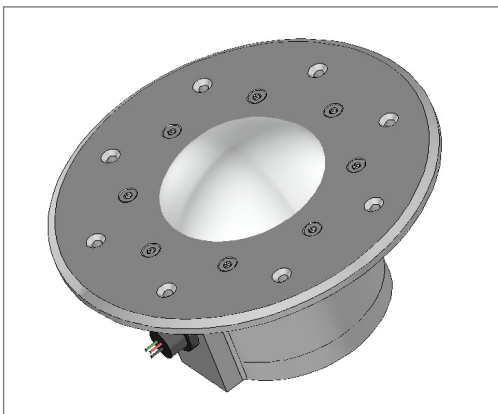
HP 2000 SERIES



This newly redesigned Inset perimeter light is the latest addition to the FEC Heliports line of high quality LED lights.

Perimeter lights are one of the most important safety features on your heliport. They are used to mark and illuminate the FATO and TLOF as well as to help the pilot locate the pad and safely land during night operations and inclement weather conditions. The Inset light is used in place of an elevated heliport perimeter light at locations where the lights are frequently knocked down by aircraft and or maintenance vehicles. These lights are strong enough to drive over without damaging the light.

AC INSET PERIMETER LIGHT



[View Interactive 3D Image](#)
 Must use Adobe Reader or Acrobat

Key Features:

- Hermetically sealed optical assembly to mitigate condensation
- Infra-Red equipment standard on all PadStar Series lighting
- NVG Compatible
- 10-Year Limited Warranty
- Engineered and designed to be universally compatible with any existing heliport lighting system
- Mil-spec anodized cast aluminum body suitable for the harshest environments
- Pre-wired for quick and easy installations

Technical Details

Operating Voltage:

- 100-240 VAC, 50/60Hz
- *Optional 277V*

Operating Power:

- 6 Watts @ 0.350ma

Operating temperature:

- - 40°F to 131°F
- - 40°C to + 55°C

Operating Lifespan:

- LED's Rated to 50,000 hrs

Light Source:

- 1x Osram Visible LED
- 3x Osram IR Diodes

STANDARD PART NUMBERS:

Fixture only:

- HP2070F True Green (528nm)
- HP2073F Blue (470nm)
- HP2071F White
- HP2072F Yellow/Amber (590nm)
- HP2082F Red

With Light Base:

- HP2070FC True Green (528nm)
- HP2073FC Blue (470nm)
- HP2071FC White
- HP2072FC Yellow/Amber (590nm)
- HP2082FC Red

PAD-STAR® AC INSET SEMI-FLUSH - 2ND GENERATION

Photometric:

Standards
 U.S. Department of Transportation, Federal Aviation Administration,
 Memorandum, Heliport Perimeter Light for Visual Meteorological
 Conditions. Engineering Brief No. 87

Parameter	Requirement	Measured	Result
Min. Peak Intensity	5 cd from 16° - 90°	12.6 cd	Pass
Min. Peak Intensity	10 cd from 0° - 15°	23.3 cd	Pass
Min. Avg Intensity	15 cd from 0° - 15°	46.7 cd	Pass

cd = Candela

Standards

International Civil Aviation Organization (ICAO):
 Aerodromes, Annex 14, Volume 2, Fourth Edition, dated July 2013
 Aerodromes, Annex 14, Volume 1, Seventh Edition, dated July 2016

Parameter	Requirement	Measured	Result
Min. Peak Intensity	3 cd from 21° - 90°	12.6 cd	Pass
Min. Peak Intensity	8 cd from 13° - 20°	36.1 cd	Pass
Min. Peak Intensity	15 cd from 11° - 13°	51.5 cd	Pass
Min. Peak Intensity	30 cd from 6° - 10°	41.7 cd	Pass
Min. Peak Intensity	15 cd from 2° - 5°	30.9 cd	Pass

Test Purpose - Performance Testing (Photometry and Chromaticity)

Test Dates - December 11, 2018

Standards & Certification:

- ETL Listed to UL2108
- ETL Listed to UL1598 at -40° c to +55°c
- ETL Listed to CSA C22.2 NO. 250.0-08
- FAA EB#87, L-860HR & HS
- FAA AC 150/5390-2 (Latest Rev.), Heliports Design Guide
- ICAO Annex 14, Volume II
- UK CAP 437
- UK CAP 1264

Physical Characteristics

Overall Dimensions:

- Height Above Surface: 1.0"
- Body: 6 1/2" to 4 3/4"
- Mounting Flange: 10" Diameter

Mounting Pattern:

- 7 3/4" BHC, 8 equally spaced 1/4" holes, 82° C-Sink

Flange Material:

- 6061-T6, QQA-200/8

Body Material:

- 356-T6 Aluminum Alloy

Lens:

- Tempered Borosilicate

Hardware:

- 18-8 Stainless Steel

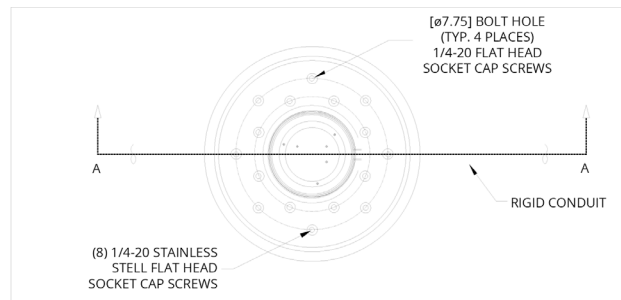
Finish:

- Hard Anodized per MIL-A-8625, Type II, Class 1

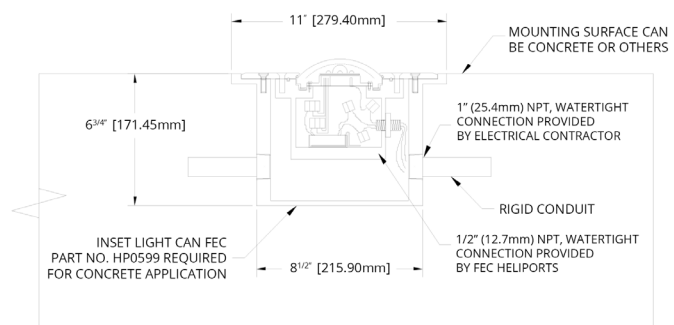
Mounting Can:

- Height 6-5/8 inches (168.27mm)
- Outside Diameter 11 inches (279.4mm)
- Inside Diameter 8-1/2 inches (215.9mm)

Inset Mounting Details



TOP VIEW



SECTION A - A

WHAT TO DO IF YOU DO NOT SEE THE IMAGE:

To View the interactive 3D image:

- Click *OPTIONS* in the yellow bar above (see screen shot below)
- Select *TRUST THIS DOCUMENT ALWAYS* to always see the image when opening this file
- Click [HERE](#) to view the interactive image

