



FEC HELIPORTS & HELIPORT EQUIPMENT

Designed, Manufactured and Installed...we do it all.

Inset Perimeter Light

This newly redesigned Inset perimeter light is the latest addition to the FEC Heliports line of high quality LED lights. Perimeter lights are one of the most important safety features on your heliport. They are used to mark and illuminate the FATO and TLOF as well as to help the pilot locate the pad and safely land during night operations and inclement weather conditions. The Inset light is used in place of an elevated heliport perimeter light at locations where the lights are frequently knocked down by aircraft and or maintenance vehicles. These lights are strong enough to drive over.

Technical Details:

Operating voltage: 120V to 277V, 50/60Hz

Maximum Power Consumption: 6 watts, .2 amps @ 120V
6 watts, .1 amps @ 277V

Operating temperature: - 13F to 122F
- 25C to +50C

Operating LED Lifespan: Rated at 50,000 hours

Light Source: Omni-directional LED Lamp
3x Osram OSLONTM SSL 1500 LEDs
Average power consumption 3.5W
350mA constant current supply
2"(50mm) diameter aluminum circuit
RoHS and 94VO compliant

Optional:

Standard Colors:

HP0571F True Green (528nm)
HP0572F Blue (470nm)
HP0573F White 6000K
HP0574F Yellow/Amber (590nm)

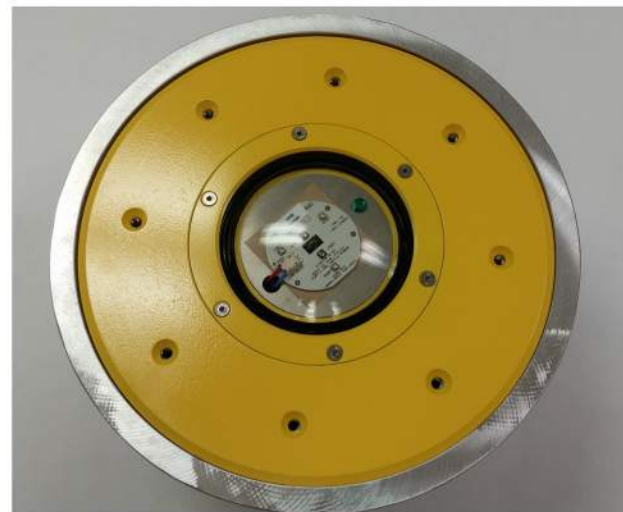
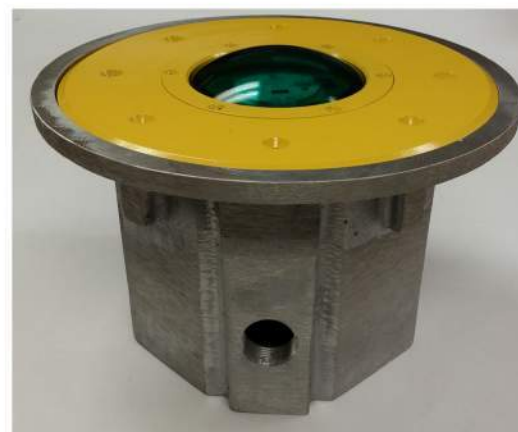
NVG Compatible:

HP0771F 3 True Green LEDs w/ 2 IR LEDs
(IR LEDs 850nm)

Clear lens provided with IR LED lights to help with night operations. The IR LEDs can not pass through colored lens.

Key Features:

- High-visibility yellow cast aluminum body suitable for the harshest environments
- Prewired for quick and easy installations





FEC HELIPORTS & HELIPORT EQUIPMENT

Designed, Manufactured and Installed...we do it all.

Standards/Certification:

- CAP 437
- ICAO Annex 14
- FAA & CAA
- UL1598
- ETL

Physical Characteristics:

Light Fixture:

Dimensions:

Height	5 inches(127mm)
Outside Diameter	10 inches(254mm)
Inside Diameter	4 inches(101.6mm)

Materials:

Lens	Tempered Glass
Casting	356 T6 Aluminum Alloy
Powder coat	SW NL YELLOW PYS8-C8289

Notes: All machining on the Aluminum casting is done in house by FEC Heliports

Shipping weight: 4lbs.

Mounting Can:

Dimensions:

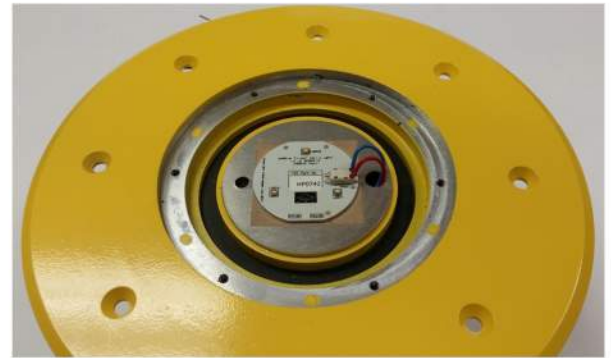
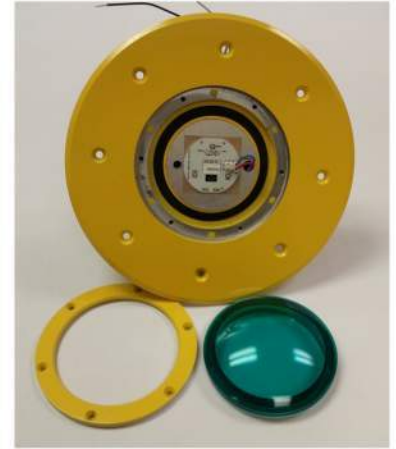
Height	6-5/8 inches(168.27mm)
Outside Diameter	11 inches(279.4mm)
Inside Diameter	8-1/2 inches(215.9mm)

Materials:

Casting	356 T6 Aluminum Alloy
---------	-----------------------

Notes: All machining on the Aluminum casting is done in house by FEC Heliports

Shipping weight: 6lbs.





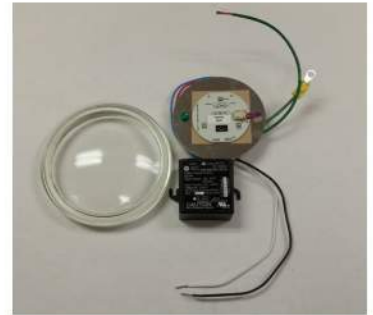
FEC HELIPORTS & HELIPORT EQUIPMENT

Designed, Manufactured and Installed...we do it all.

Replacement Kits/Parts:

Kits:

HP0560F	Green LED board with Driver
HP0561F	White LED board with Driver
HP0568F	Yellow/Amber LED board with Driver
HP0569F	Blue LED board with Driver
HP0760F	Green/IR LED board with Driver



Lens:

HP0609-1	Green
HP0609-2	White
HP0609-3	Yellow/Amber
HP0609-4	Blue



Misc. Parts:

HP0575	O-Ring
HP0578	8-32 Flat Head Socket Cap Screw
HP0595	Lid
HP0596	Lid Gasket
HP0599	Inset Light Mounting Can
HP0606	Mounting Can Gasket





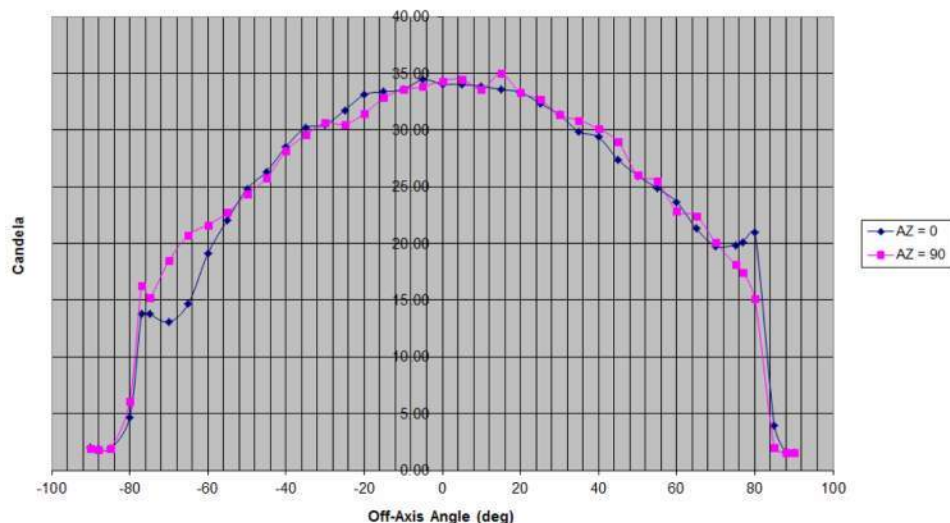
FEC HELIPORTS & HELIPORT EQUIPMENT

Designed, Manufactured and Installed...we do it all.

Summary intensity by bins

Results of the measurements are summarized in figure 4 which is formatted to correspond to Annex 14, illustration 6 (Touchdown and lift-off area perimeter lights). Note that the data tabulated in figures 2 and 3 are plotted based on "off-zenith" angle. Figure 4 is summarized based on "elevation" angle where 0° is at the horizon.

Elevation	Measured Intensity
20° < E < to 90°	18.4 cd min
13° < E < to 20°	16.2 cd min
10° < E < to 13°	6.0 cd min
5° < E < to 10°	1.9 cd min
2° < E < to 5°	1.5 cd min



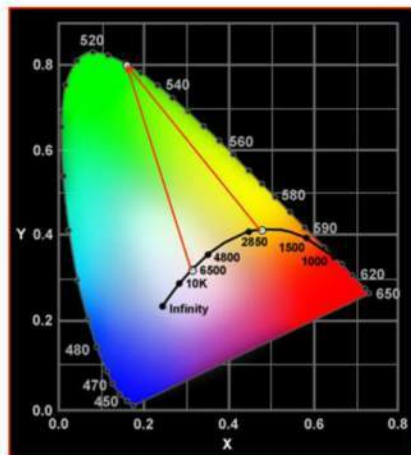
Illuminance in candela as a function of off-zenith angle in degrees

CIE Color and Dominant Wavelength

The average of the CIE color coordinates measured for the light is $x = 0.16$ and $y = 0.79$. This corresponds to a dominant wavelength of 530 nm as indicated in figure 5.

CIE Color Coordinate HP0571F

- Average CIE color coordinate
 - $x = 0.16$
 - $y = 0.79$
- Dominant Wavelength relative to Illuminant A ($x = 0.4475, y = 0.4075$)
 - 530 nm
- Dominant Wavelength relative to 6500 K
 - 530 nm



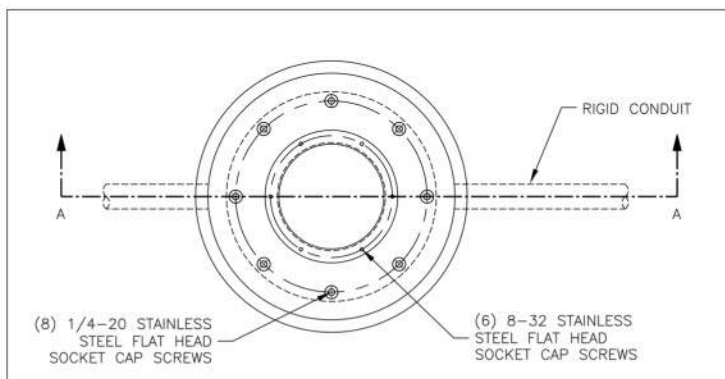
Total Light Output

The integrated light output was calculated to be 129 lumens. This was calculated based on two elevation sweeps at azimuth angles of 0 degrees and 90 degrees. Readings were integrated over the closest 5 degree spherical section. Please note that the term "lumen" assumes that the light covers the photopic spectrum which is not the case for this saturated green LED light.



FEC HELIPORTS & HELIPORT EQUIPMENT

Designed, Manufactured and Installed...we do it all.



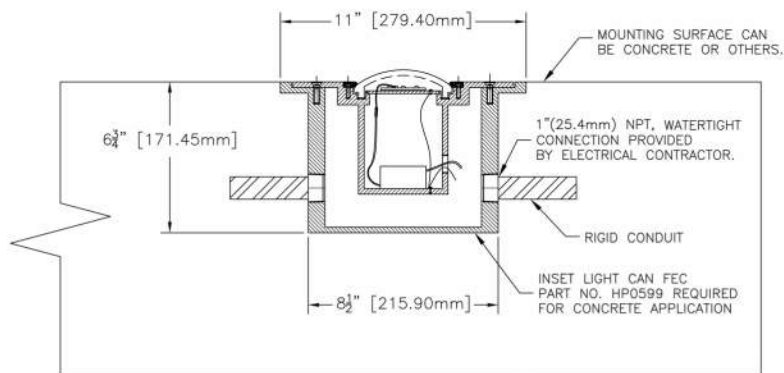
TOP VIEW

Mounting Notes:

- Set can in form so finished grade and the top of the mounting can are even.
- Use watertight conduit and conduit fittings to rough in power source wiring to mounting cans.
- Mask / cover topside opening to prevent debris from entering the Mounting Can.

General Notes:

- After installation the lens is 1/2 inches (12.7mm) above grade
- Light fixture outside diameter is 10 inches (254mm) by 5 inches (127mm) in depth
- Mounting can outside diameter is 11 inches (279.4mm) by 6 5/8 inches (168.275mm) in depth



SECTION A-A

