

## DUAL RED OBSTRUCTION LIGHT - 120V TO 277V - NVG COMPATIBLE

### HP0900 / HP0901



DUAL RED  
OBSTRUCTION LIGHT

FEC offers a dual obstruction light for added safety and minimal maintenance in remote locations.

FEC's dual obstruction lights are lightweight and available as steady on 24/7 or with photo cell for longer operating life.

### Key Features:

- Hermetically sealed optical assembly with 3 year warranty
- Standard I/R for NVG compatibility
- Optional photo cell included for longer operating time
- Low profile glass lens for high visibility and safer operations
- Pre-wired for quick and easy installations
- Mil-spec anodized cast aluminum body suitable for the harshest environments

## Technical Details

### Operating Voltage:

- 120V

### Maximum Power:

- 12 watts, .4 amps @ 120V

### Operating temperature:

- - 13ºf to 122ºf
- - 25ºc to 50ºc

### Operating Lifespan:

- LED's Rated to 50,000 hrs

### Light Source:

- Omni-Directional LED lamp
- 1x OSOLON SSL 150 LED w Optic
- 3x OSOLON BLACK IR DIODE

### Standard Part Numbers:

- HP0900 - Dual Steady Burning
- HP0901 - Dual Steady Burning with Photoeye

## DUAL RED OBSTRUCTION LIGHT - 120V TO 277V - NVG COMPATIBLE

### Physical Characteristics

#### LIGHT FIXTURE

Height:

- 23" approx.

Width:

- 15" approx

#### LIGHT UNIT

Height:

- 4" approx

Light Fixture Finish:

- Hard Anodize per MIL-A-8625  
 Type II, Class 1

Width:

- 4 3/4"

#### MATERIALS

Housing

- Cast Aluminum

Fixture

- Black Painted Steel

Lens

- Tempered Glass

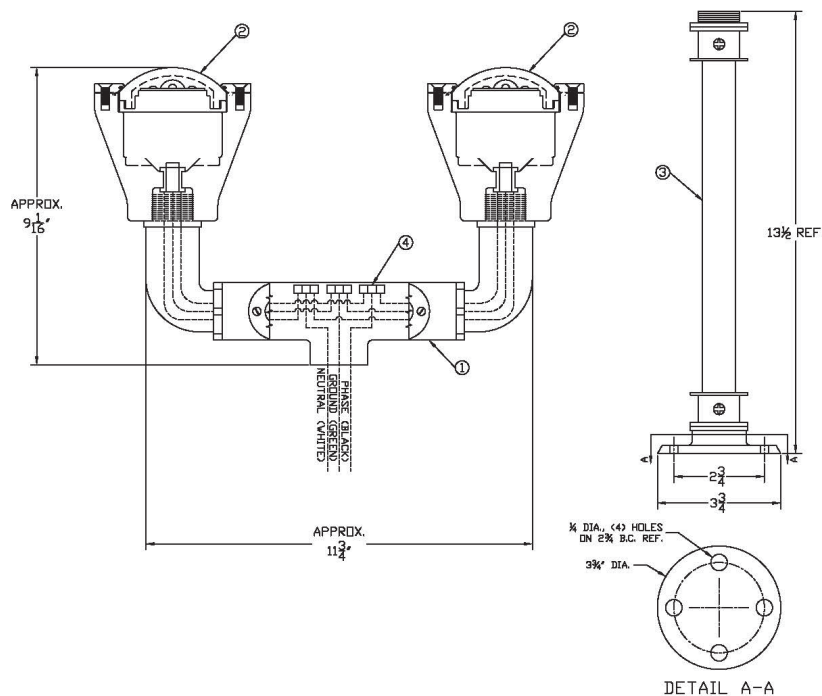
Color:

- Gray & Black

### Certifications & Compliances:

- FAA L-810 (EB98)
- ICAO Annex 14
- Cap 437
- CAA
- ETL
- UL1598

### Ground Mounting Details



THIS DOCUMENT IS THE PROPERTY OF FEC HELIPOINTS. INFORMATION CONTAINED IN THIS DOCUMENT SHALL NOT BE DISCLOSED TO OTHERS, USED FOR MANUFACTURING, OR REPRODUCED FOR ANY REASON WITHOUT THE EXPRESSED WRITTEN PERMISSION OF FEC HELIPOINTS.

#### REVISION BLOCKS

REVISION:	DATE:	DESCRIPTION OF REVISIONS & ADDITIONAL NOTES:	REVISED BY:
A	01/07/22	REPLACED THE HP0900 OBSTRUCTION LIGHT WITH THE UPDATED HP0900 OBSTRUCTION LIGHT	TWS

NOTES:  
 1) TEST UNIT AFTER ASSEMBLY PRIOR TO SHIPPING.

ITEM	QTY	DESCRIPTION	PART NO.
4	3	WAGO 3-WAY CONNECTOR	221-413
3	1	LIGHT POLE ASSEMBLY	HP0970
2	2	RED OBSTRUCTION LIGHT, LED	HP0080
1	1	CONDUIT ASSEMBLY	HP0528

#### PARTS LIST



5298 RIVER RD.  
 CINCINNATI, OH 45233  
 (877) HELIPAD  
 (877) 435-4723  
 WWW.FECHELIPORTS.COM

#### DUAL LED OBSTRUCTION LIGHT ASSEMBLY POLE MOUNT STYLE

DRAWN BY: TWS	CHECKED BY: JJS	APPROVED BY: TS
DATE: 05/01/2020	DWG SIZE: A	REV LTR: A
SCALE: N/A	HP0900	