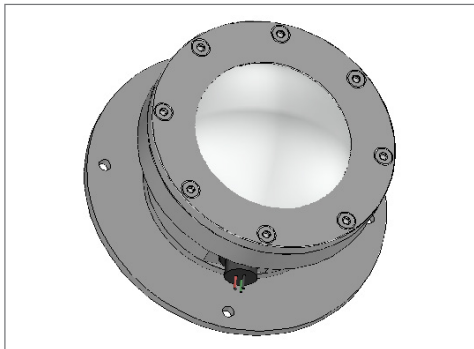


PAD-STAR® AC ELEVATED GROUND MOUNT - 2ND GENERATION

HP2000 SERIES



**AC GROUND MOUNTED
PERIMETER LIGHT**



[View Interactive 3D Image](#)
Must use Adobe Reader or Acrobat

This newly redesigned Ground perimeter light is the latest addition to the FEC Heliports line of high quality LED lights.

Perimeter and Obstruction lights are one of the most important safety features on your heliport. They are used to mark and illuminate the FATO, TLOF, and Obstructions as well as to help the pilot locate the pad and safely land during night operations and inclement weather conditions.

Key Features:

- Hermetically sealed optical assembly to mitigate condensation
- Infra-Red equipment standard on all PadStar Series lighting
- NVG Compatible
- 10-Year Limited Warranty
- Engineered and designed to be universally compatible with any existing heliport lighting system
- Mil-spec anodized cast aluminum body suitable for the harshest environments
- Pre-wired for quick and easy installations

Technical Details

Operating Voltage:

- 100-240 VAC, 50/60Hz

Operating Power:

- 6 Watts @ 0.350ma

Operating temperature:

- - 40°F to 131°F
- - 40°C to + 55°C

Operating Lifespan:

- LED's Rated to 50,000 hrs

Light Source:

- 1x Osram Visible LED
- 3x Osram IR Diodes

Standard Part Numbers:

- HP2090G True Green (528nm)
- HP2093G Blue (470nm)
- HP2091G White 6000K
- HP2092G Yellow/Amber (590nm)
- HP2081G Red

PAD-STAR® AC ELEVATED GROUND MOUNT - 2ND GENERATION

Photometric:

Standards
U.S. Department of Transportation, Federal Aviation Administration,
Memorandum, Heliport Perimeter Light for Visual Meteorological
Conditions. Engineering Brief No. 87

Parameter	Requirement	Measured	Result
Min. Peak Intensity	5 cd from 16° - 90°	12.6 cd	Pass
Min. Peak Intensity	10 cd from 0° - 15°	23.3 cd	Pass
Min. Avg Intensity	15 cd from 0° - 15°	46.7 cd	Pass

cd = Candela

Standards

Internal Civil Aviation Organization (ICAO):
Aerodromes, Annex 14, Volume 2, Fourth Edition, dated July 2013
Aerodromes, Annex 14, Volume 1, Seventh Edition, dated July 2016

Parameter	Requirement	Measured	Result
Min. Peak Intensity	3 cd from 21° - 90°	12.6 cd	Pass
Min. Peak Intensity	8 cd from 13° - 20°	36.1 cd	Pass
Min. Peak Intensity	15 cd from 11° - 13°	51.5 cd	Pass
Min. Peak Intensity	30 cd from 6° - 10°	41.7 cd	Pass
Min. Peak Intensity	15 cd from 2° - 5°	30.9 cd	Pass

Test Purpose - Performance Testing (Photometry and Chromaticity)

Test Dates - December 11, 2018

Certifications & Compliances:

- ETL Listed to UL2108
- ETL Listed to UL1598 at -40° c to +55°c
- ETL Listed to CSA C22.2 NO. 250.0-08
- FAA EB#87, L-860HR & HS
- FAA AC 150/5390-2 (Latest Rev.), Heliports Design Guide
- ICAO Annex 14, Volume II
- UK CAP 437
- UK CAP 1264

Physical Characteristics

Overall Dimensions:

- Height Above Surface: 4 ¼"
- Body Diameter: 6 ½"
- Mounting Flange: 8.0"

Mounting Pattern:

- 7 1/6" BHC, 4 equally spaced 5/16" holes

Flange Material:

- 6061-T6, QQA200/88
- 356-T6 Aluminum Alloy

Lens:

- Tempered Borosilicate

Hardware:

- 18-8 Stainless Steel

Finish:

- Hard Anodize per MIL-A-8625 Type II, Class 1

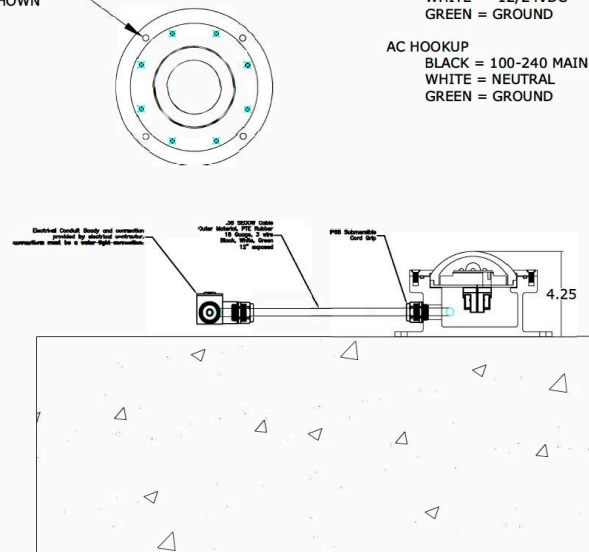
Ground Mounting Details

NOTES:
1) 18 GAUGE SEOWW CABLE, B/W/G

DC HOOKUP
BLACK = +12/24VDC
WHITE = -12/24VDC
GREEN = GROUND

AC HOOKUP
BLACK = 100-240 MAIN
WHITE = NEUTRAL
GREEN = GROUND

5/16" (7.9375mm) DIA. HOLE
ON A 7 1/6" (179.3875mm) B.C.,
(4) PLACES AS SHOWN



MOUNTING SURFACE CAN
BE STEEL, CONCRETE,
CONCRETE PAVER BLOCK,
SAFETY NETTING OR
OTHERS

WHAT TO DO IF YOU DO NOT SEE THE IMAGE:

To View the interactive 3D image:

- Click *OPTIONS* in the yellow bar above (see screen shot below)
- Select *TRUST THIS DOCUMENT ALWAYS* to always see the image when opening this file
- Click [HERE](#) to view the interactive image

